

C610 series

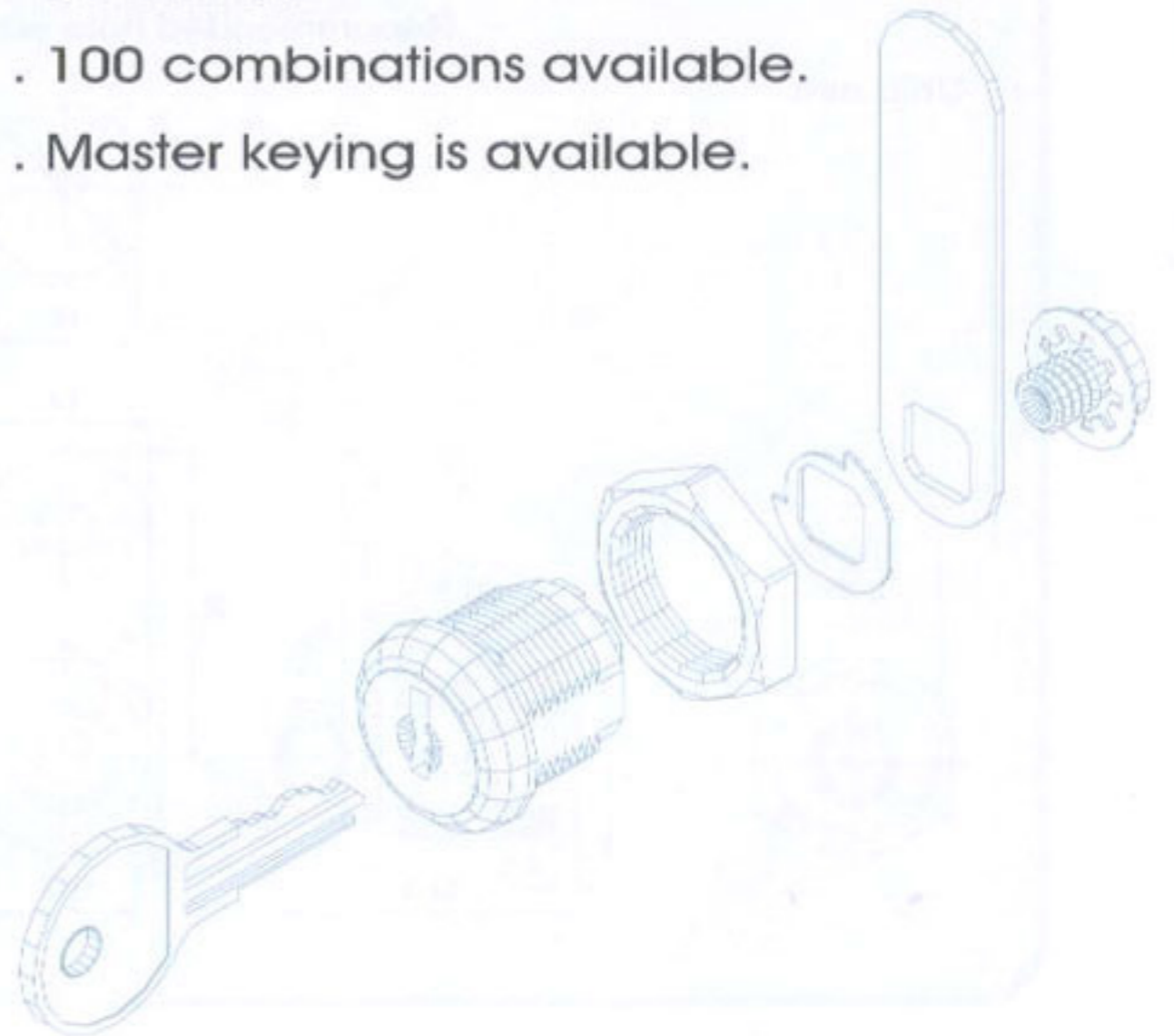
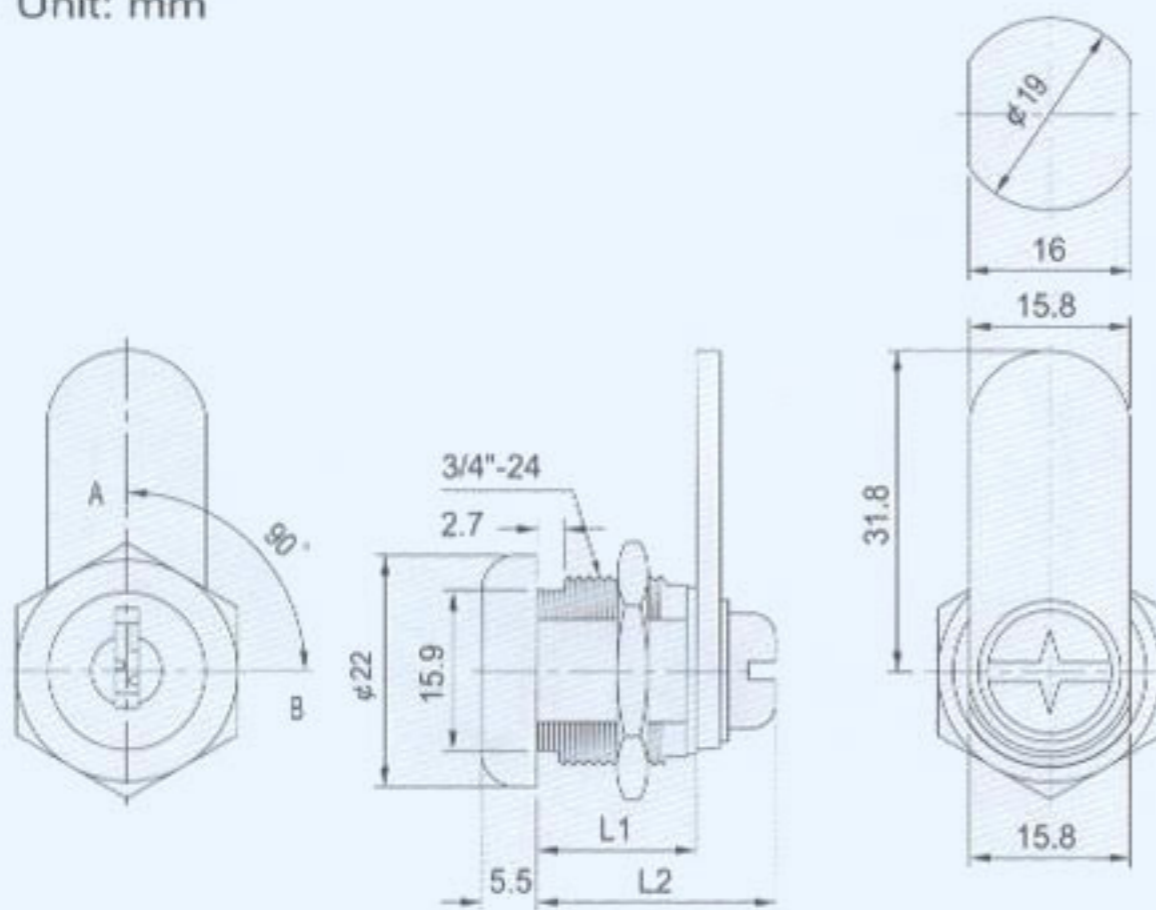


DESCRIPTION

- . Zinc alloy die cast housing and cylinder.
- . Stainless steel capped bezel.
- . Yellow die-chromate plated standard.
- . 5 disc tumbler mechanism.
- . Brass keys, nickel plated.
- . Key may be withdrawn in one or both positions.
- . 5 sizes available.
- . Various cam configurations and rotations available.
- . C610XS cam is affixed by screw or nut and fixed available.
- . other size cam affixed by screw or fixed only.
- . Hex nut or speed clip mounted.
- . All keyed alike or 25 key combinations standard.
- . 100 combinations available.
- . Master keying is available.

Unit: mm

Recommended hole size



■ -INDICATES KEY-PULL

● -INDICATES NO KEY-PULL



Sizes	SCREW		FIXED	NUT
	L1	L2	L2	L2
XS	11.1	18.5	14.8	20.9
S	15.9	23	19.2	
M	22.2	29.1	25.6	
L	28.5	35.7		
XL	35	42		

FigNo LockNumber Positions KeyPulls Turn

1	C610XS-1	2	1	90°
1	C610S-1	2	1	90°
1	C610M-1	2	1	90°
1	C610L-1	2	1	90°
1	C610XL-1	2	1	90°
2	C610XS-2	2	2	90°
2	C610S-2	2	2	90°
2	C610M-2	2	2	90°
2	C610L-2	2	2	90°
2	C610XL-2	2	2	90°

C610-D series

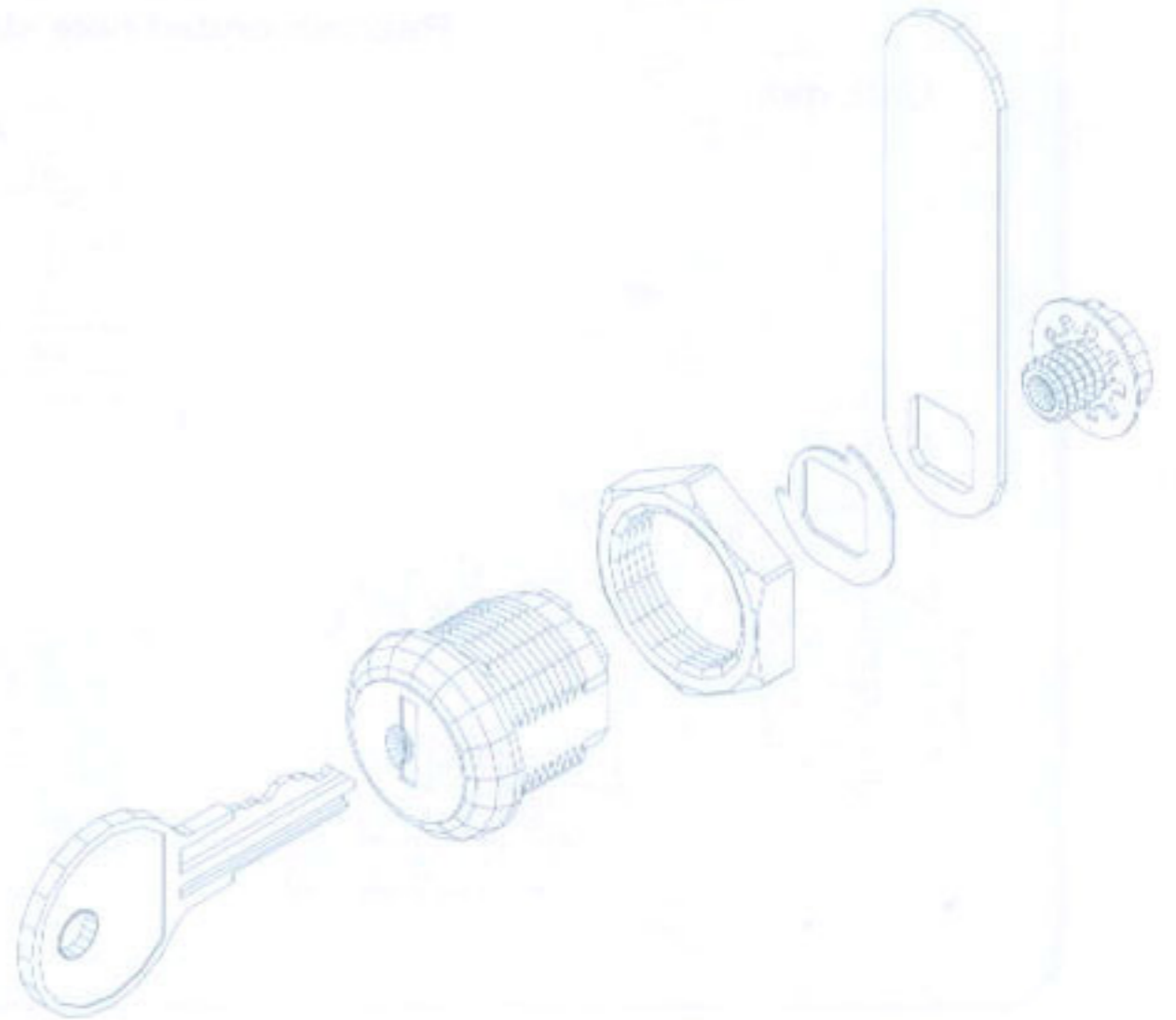
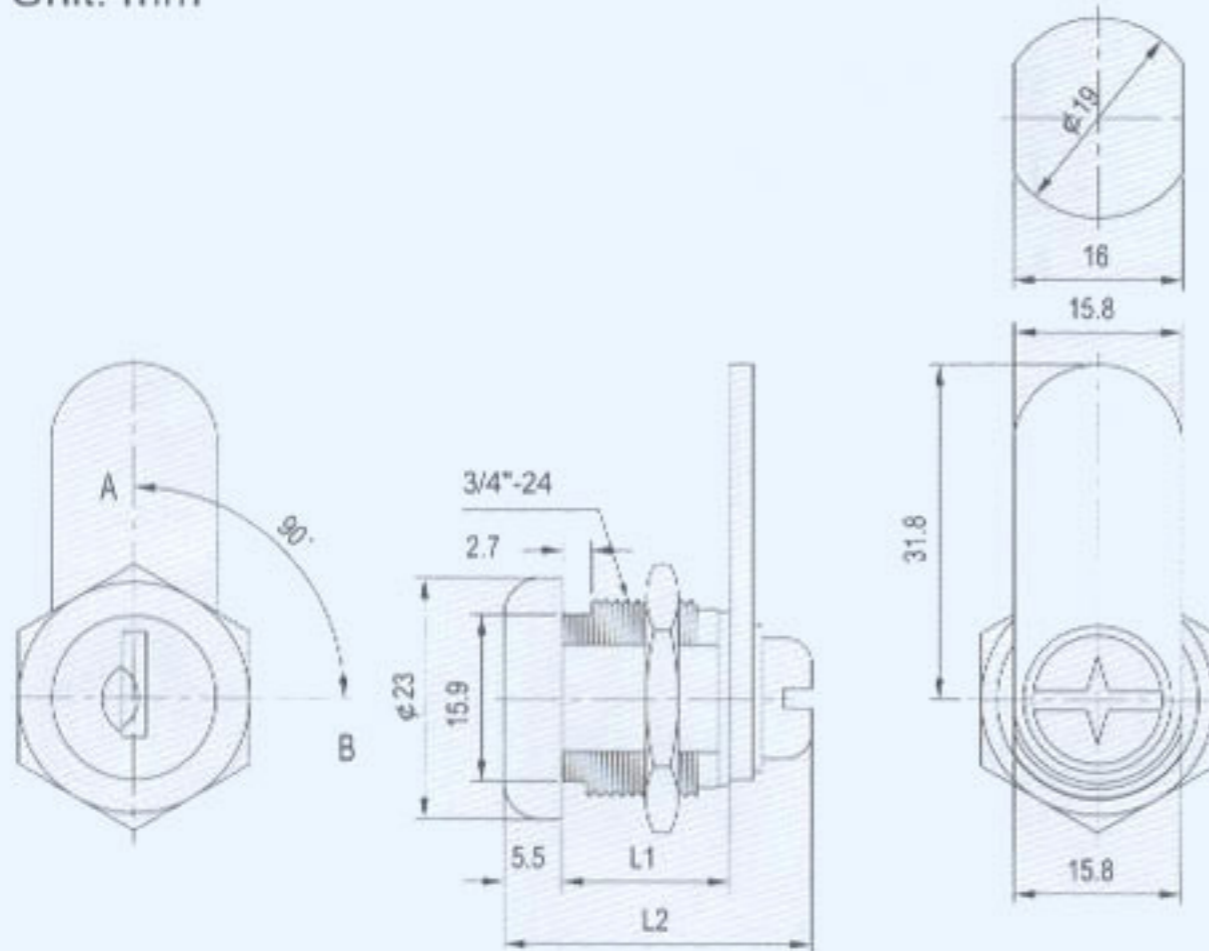


DESCRIPTION

- . Zinc alloy die cast housing and cylinder.
- . Stainless steel capped bezel with dust shutter mechanism.
- . Yellow die-chromate plated standard.
- . 5 disc tumbler mechanism.
- . Brass keys, nickel plated.
- . Key may be withdrawn in one or both positions..
- . 5 sizes available.
- . Various cam configurations and rotations available.
- . Cam is affixed by screw or fixed.
- . Hex nut or speed clip mounted.
- . All keyed alike or 25 combinations standard.
- . 100 combinations available.
- . Master keying is available.

Unit: mm

Recommended hole size



- -INDICATES KEY-PULL
- -INDICATES NO KEY-PULL



Sizes	SCREW		FIXED
	L1	L2	L2
S	15.9	22.4	19.1
M	22.2	28.5	
L	28.2	35.4	
XL	35	41.4	
XXL	53.9	66.7	

FigNo	LockNumber	Positions	KeyPulls	Turn
1	C610S-1-D	2	1	90°
1	C610M-1-D	2	1	90°
1	C610L-1-D	2	1	90°
1	C610XL-1-D	2	1	90°
1	C610XXL-1-D	2	1	90°
2	C610S-2-D	2	2	90°
2	C610M-2-D	2	2	90°
2	C610L-2-D	2	2	90°
2	C610XL-2-D	2	2	90°
2	C610XXL-2-D	2	2	90°

C626-D series

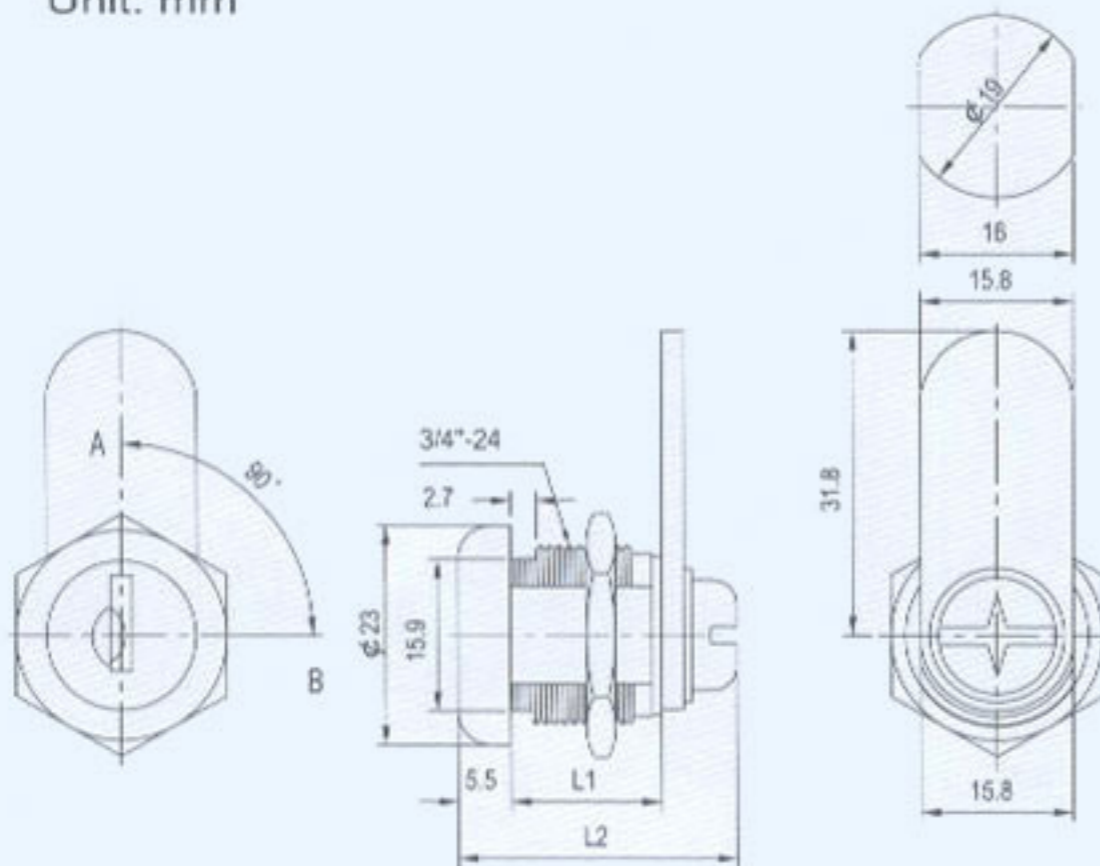


DESCRIPTION

- . Zinc alloy die cast housing and cylinder.
- . C626 series with stainless steel capped bezel.
- . C626-D series with stainless steel capped bezel with dust shutter mechanism.
- . Yellow die-chromate plated standard.
- . 5 disc tumbler mechanism.
- . Reversible double-bitted brass keys, nickel plated.
- . Key may be withdrawn in one or both positions.
- . 3 sizes available.
- . Various cam configurations and rotations available.
- . Cam is affixed by screw or fixed.
- . Hex nut or speed clip mounted.
- . All keyed alike or 25 combinations standard.
- . 100 combinations available.
- . Master keying is available.

Unit: mm

Recommended hole size



■ -INDICATES KEY-PULL

● -INDICATES NO KEY-PULL



Fig.1



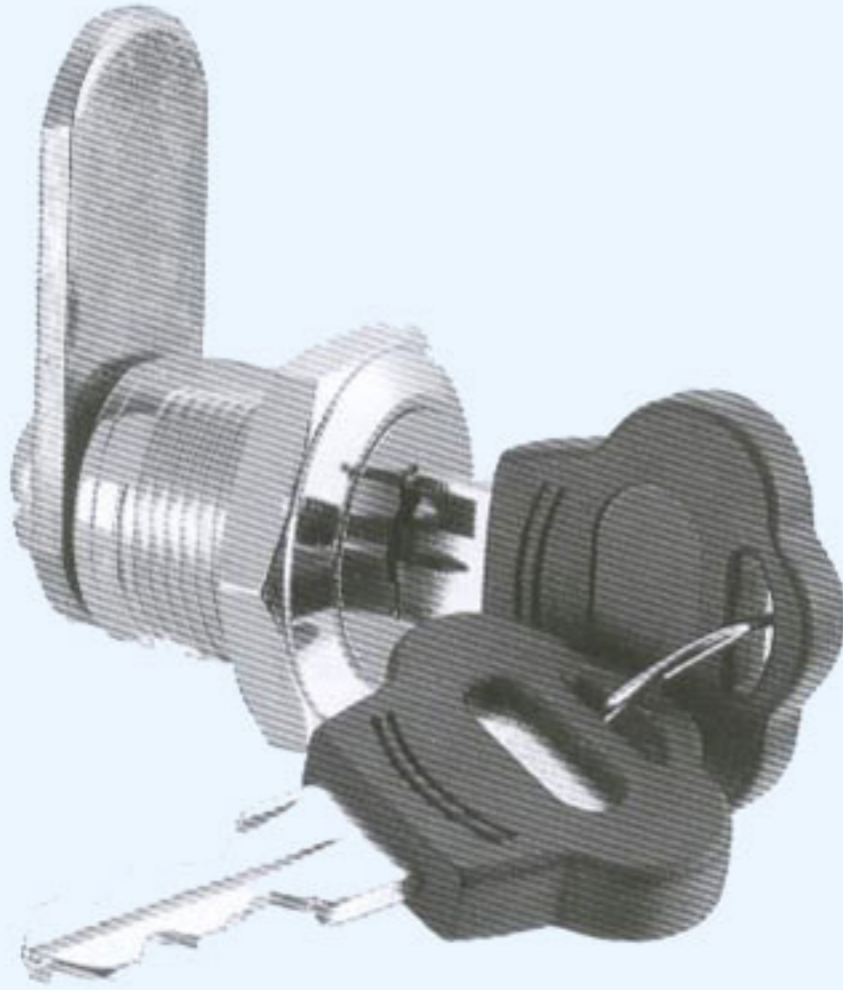
Fig.2

Sizes	SCREW		FIXED
	L1	L2	L2
S	15.9	22.9	19.3
M	22.2	29.3	
XL	35.3	42.2	

FigNo LockNumber Positions KeyPulls Turn

1	C626S-1-D	2	1	90°
1	C626M-1-D	2	1	90°
1	C626XL-1-D	2	1	90°
2	C626S-2-D	2	2	90°
2	C626M-2-D	2	2	90°
2	C626XL-2-D	2	2	90°

C628

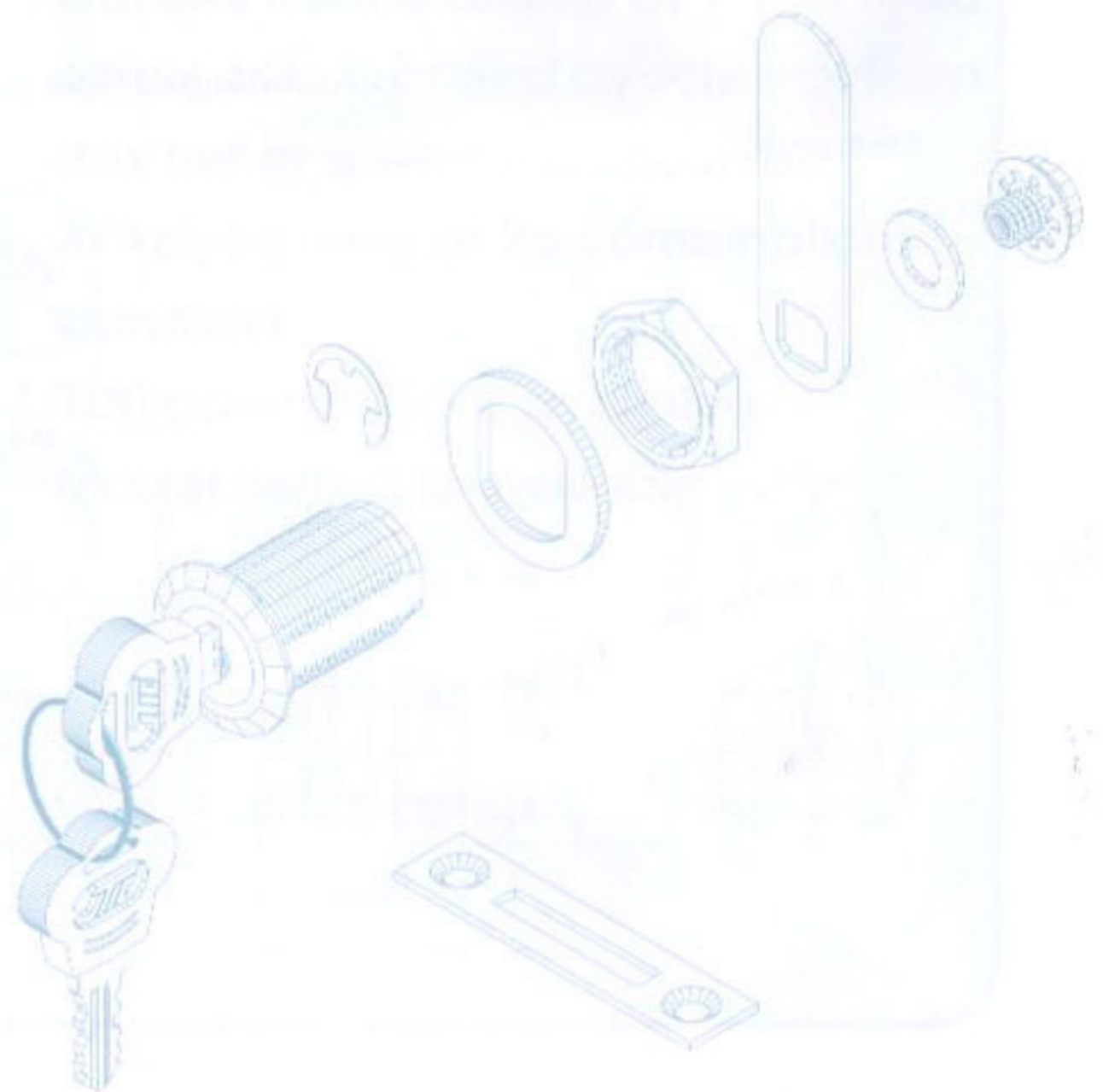
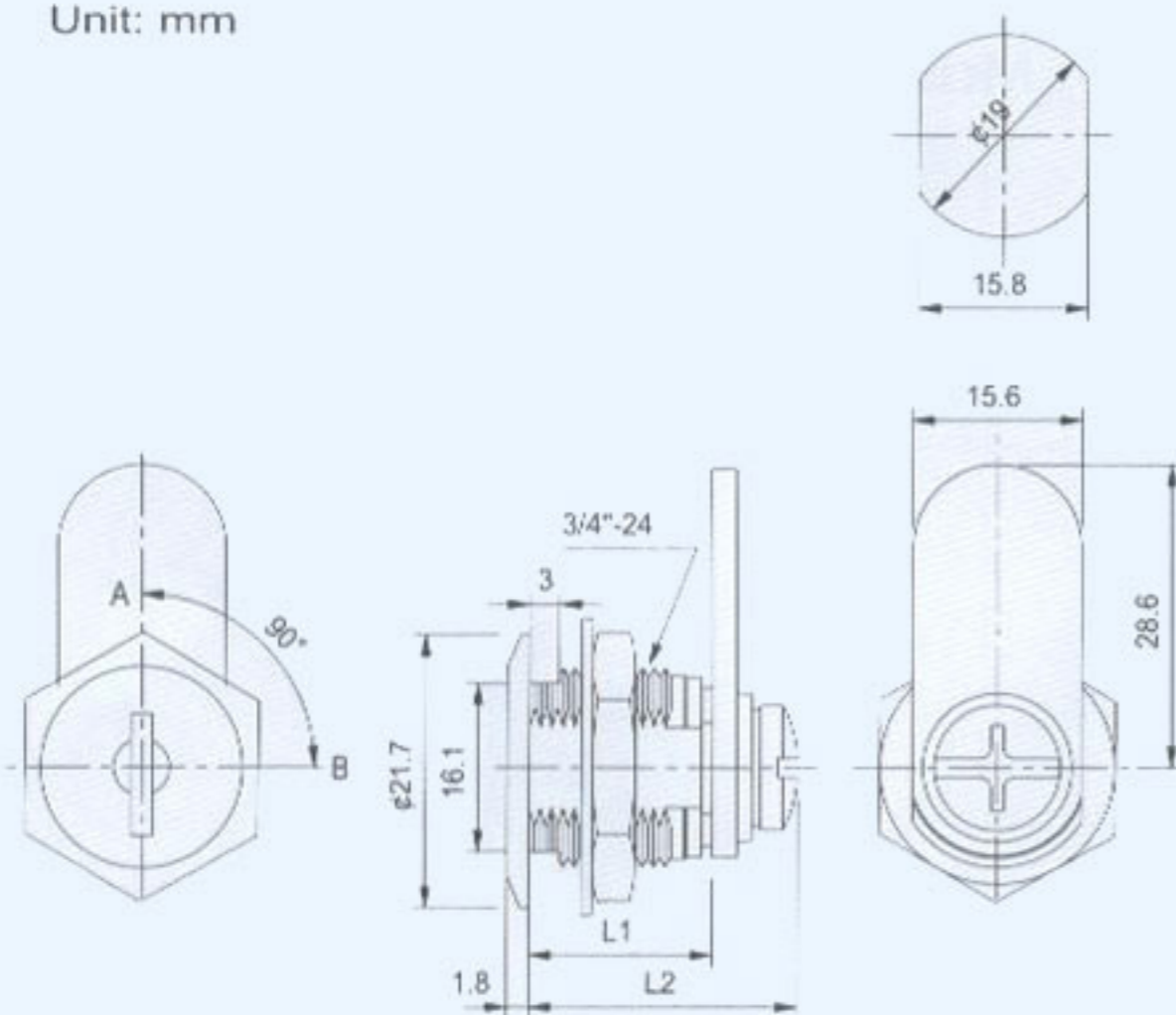


DESCRIPTION

- . Zinc alloy die cast housing and cylinder.
- . Bright chrome plated standard.
- . 5 disc tumbler mechanism.
- . Reversible double-bitted brass keys, nickel plated, plastic cover.
- . Key may be withdrawn in one or both positions.
- . 2 sizes available.
- . Various cam configurations and rotations available.
- . Cam is affixed by screw.
- . Hex nut or speed clip mounted.
- . All keyed alike or 25 combinations standard.
- . 100 combinations available.

Unit: mm

Recommended hole size



■ -INDICATES KEY-PULL

● -INDICATES NO KEY-PULL



Fig.1



Fig.2

Sizes	L1	L2
S	17.8	24.9
L	30.6	38.4

FigNo	LockNumber	Positions	KeyPulls	Turn
1	C628S-1	2	1	90°
1	C628L-1	2	1	90°
2	C628S-2	2	2	90°
2	C628L-2	2	2	90°

C650 series

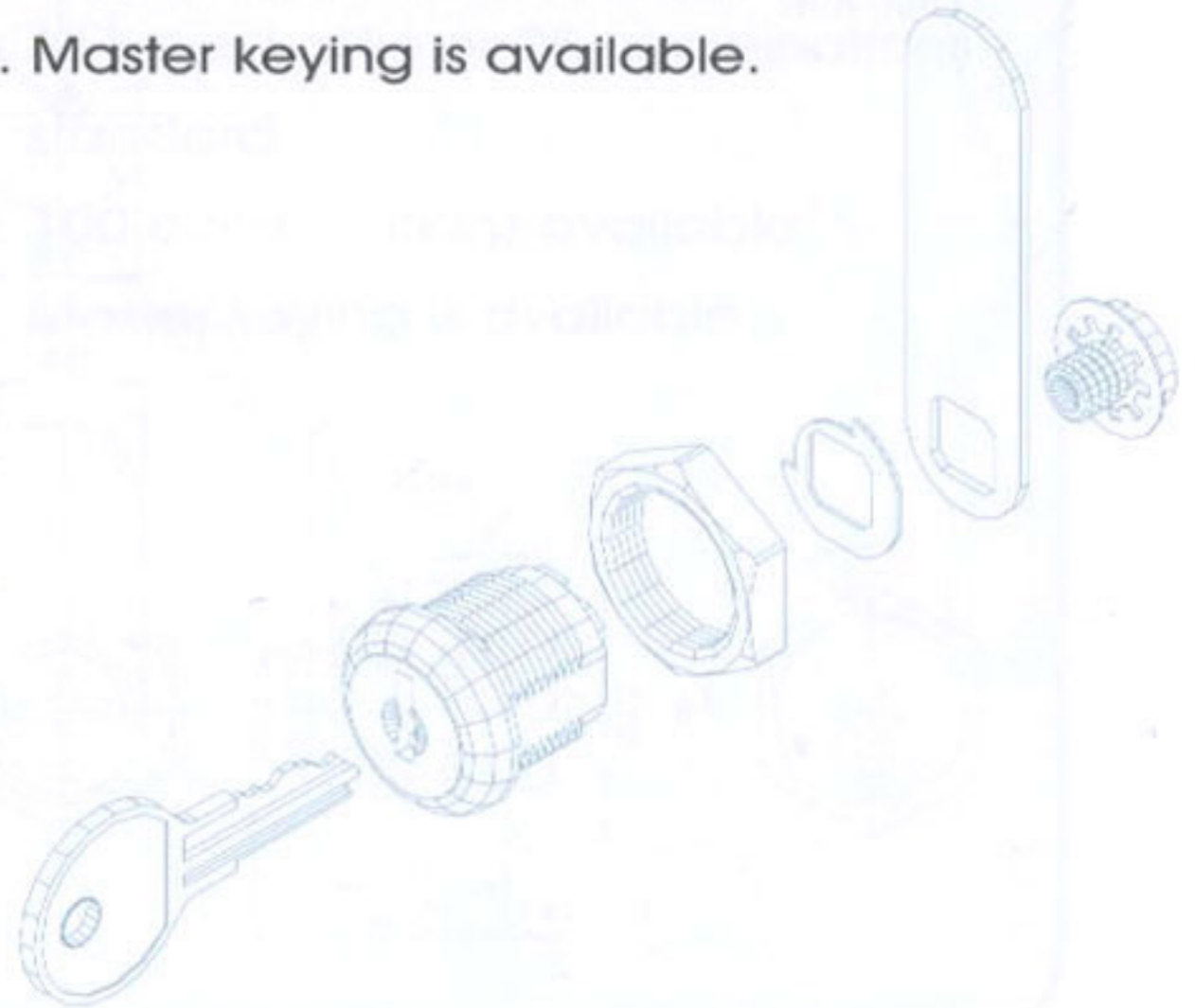
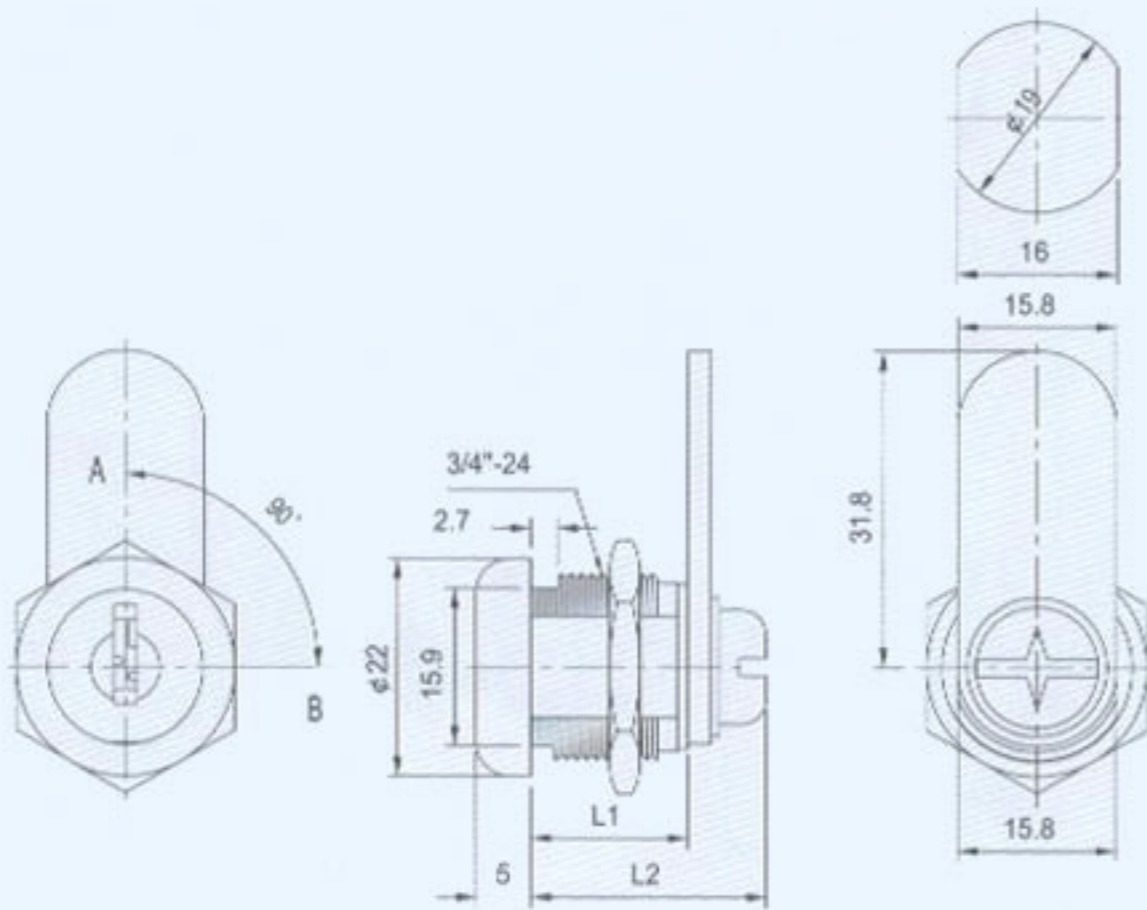


DESCRIPTION

- . Zinc alloy die cast housing and cylinder.
- . Bright chrome plated standard.
- . 5 disc tumbler mechanism.
- . Brass keys, nickel plated.
- . Key may be withdrawn in one or both positions.
- . 6 sizes available.
- . Various cam configurations and rotations available.
- . C650XXS & C650XS cam is affixed by screw and nut or fixed available, other size cam affixed by screw or fixed only.
- . Hex nut or speed clip mounted.
- . All keyed alike or 25 combinations standard.
- . 100 combinations available.
- . Master keying is available.

Unit: mm

Recommended hole size



■ -INDICATES KEY-PULL



Fig. 1

● -INDICATES NO KEY-PULL



Fig. 2

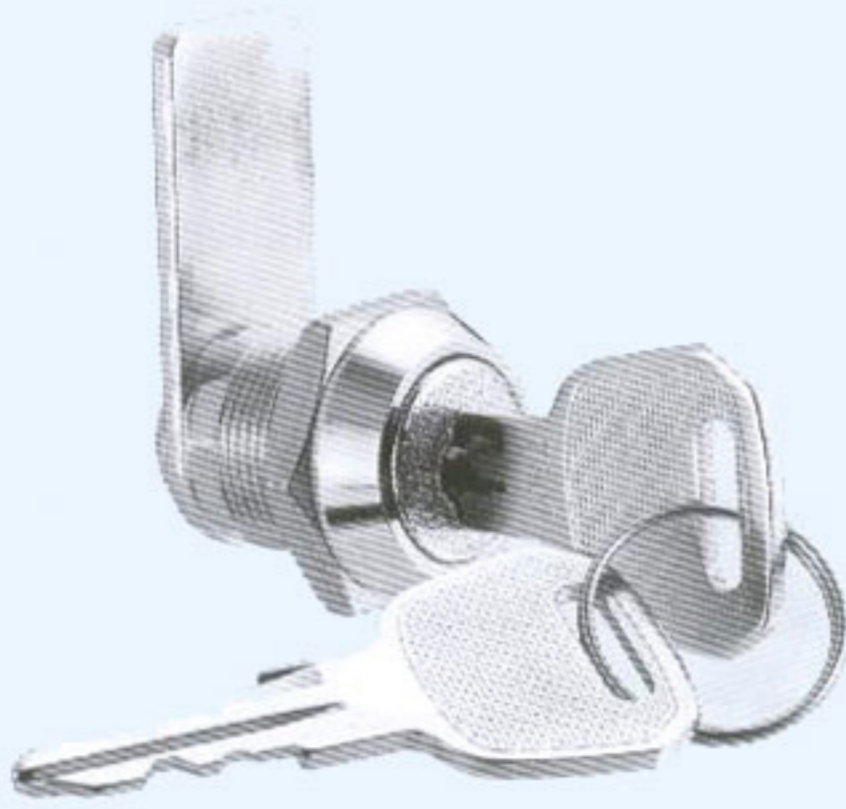
SCREW FIXED

Sizes	L1	L2	L2
XXS	8.9		12.2
XS	11.1	18.9	14.7
S	15.9	23.7	19.5
M	22.2	30	
L	28.6	35.1	
XL	34.9	42.7	

FigNo LockNumber Positions KeyPulls Turn

1	C650XXS-1	2	1	90°
1	C650XS-1	2	1	90°
1	C650S-1	2	1	90°
1	C650M-1	2	1	90°
1	C650L-1	2	1	90°
1	C650XL-1	2	1	90°
2	C650XXS-2	2	2	90°
2	C650XS-2	2	2	90°
2	C650S-2	2	2	90°
2	C650M-2	2	2	90°
2	C650L-2	2	2	90°
2	C650XL-2	2	2	90°

C620

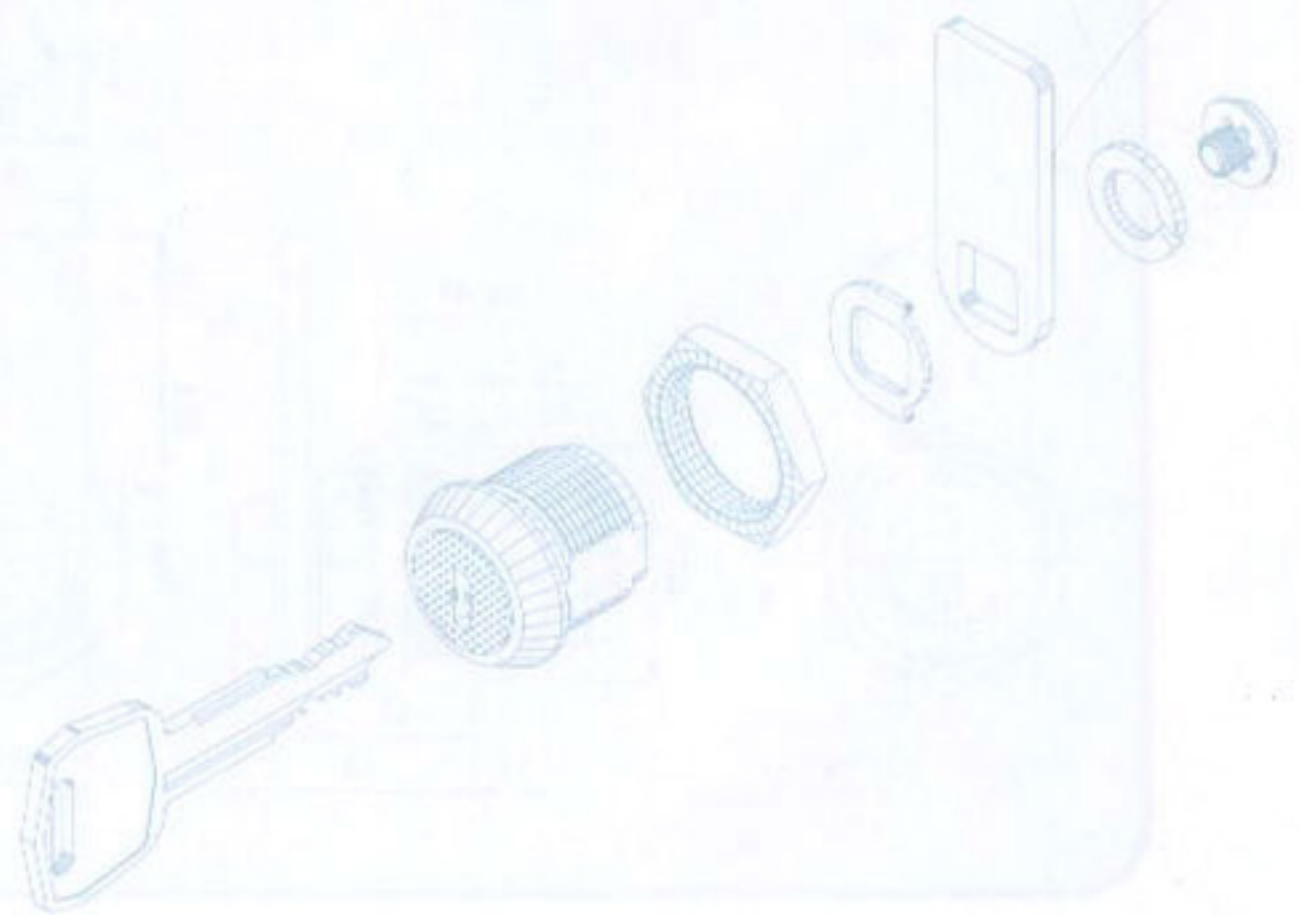
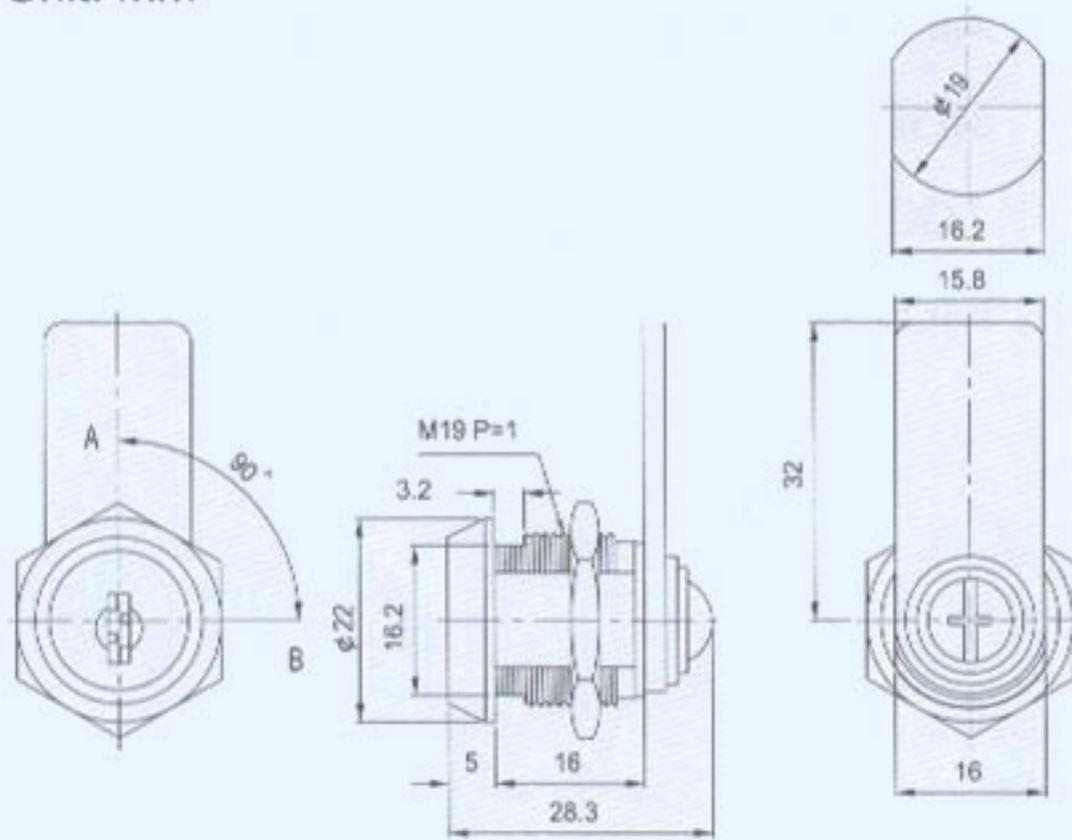


DESCRIPTION

- . Zinc alloy die cast housing and cylinder.
- . Bright chrome plated standard.
- . 5 disc tumbler mechanism.
- . Brass keys, nickel plated.
- . Key may be withdrawn in one or both positions.
- . Various cam configurations and rotations available.
- . Cam is affixed by screw.
- . Hex nut or speed clip mounted.
- . All keyed alike or 25 combinations standard.
- . 100 combinations available.

Unit: mm

Recommended hole size



■ -INDICATES KEY-PULL

● -INDICATES NO KEY-PULL



Fig.1



Fig.2

Fig No	Lock Number	Positions	Key Pulls	Turn
1	C620-1	2	1	90°
2	C620-2	2	2	90°

RT657 RT658

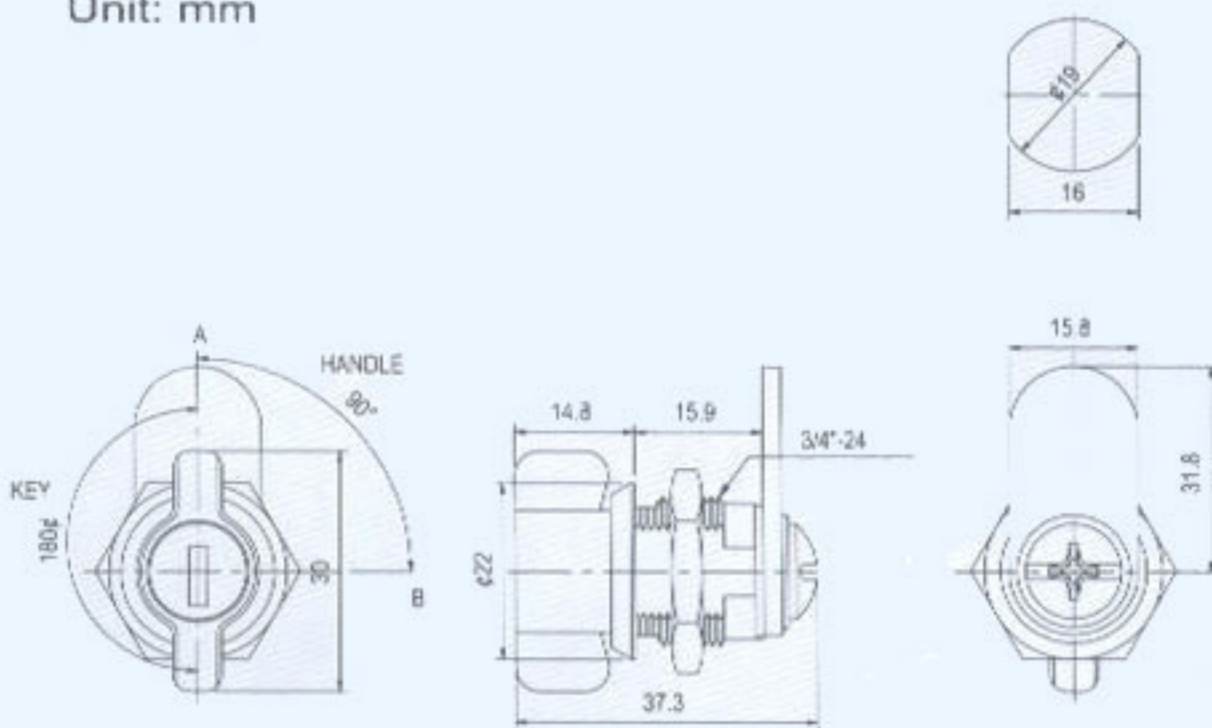


DESCRIPTION

- . RT658 ABS plastic housing and zinc alloy die cast cylinder.
- . RT657 zinc alloy die cast housing and cylinder.
- . RT658 black plastic housing and bright anodize cylinder standard; other color housing available upon request.
- . RT657 bright chrome plated standard
- . 5 disc tumbler mechanism.
- . Reversible double-bitted brass keys, nickel plated.
- . Key may be withdrawn in one or both positions.
- . Various cam configurations and rotations available.
- . Cam is affixed by screw.
- . Hex nut or speed clip mounted.
- . All keyed alike or 25 combinations standard.
- . 100 combinations available.

Unit: mm

Recommended hole size



■ -INDICATES KEY-PULL

● -INDICATES NO KEY-PULL



Fig.1



Fig.2

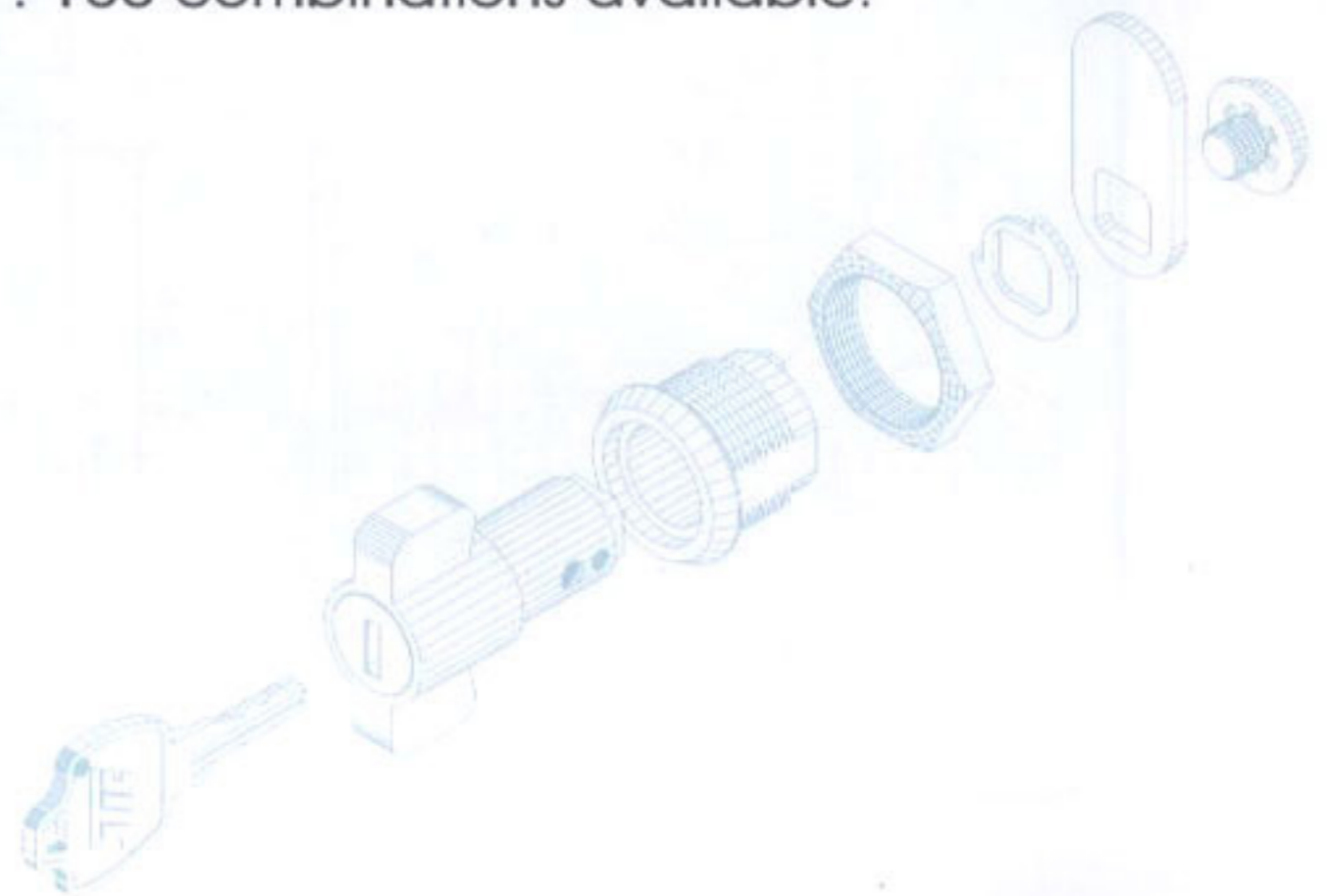


Fig No	Lock Number	Positions	Key Pulls	Key Turn	Handle Turn
1	RT657-1	2	1	180°	90°
1	RT658-1	2	1	180°	90°
2	RT657-2	2	2	180°	90°
2	RT658-2	2	2	180°	90°